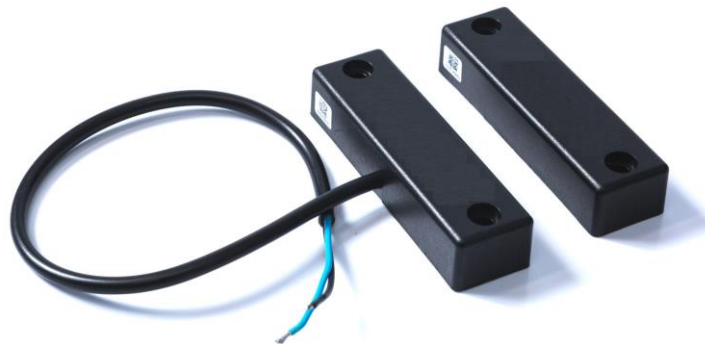


CARGO DOOR MAGNETIC (REED) SENSOR KIT

Product code: 550.100.000.1326



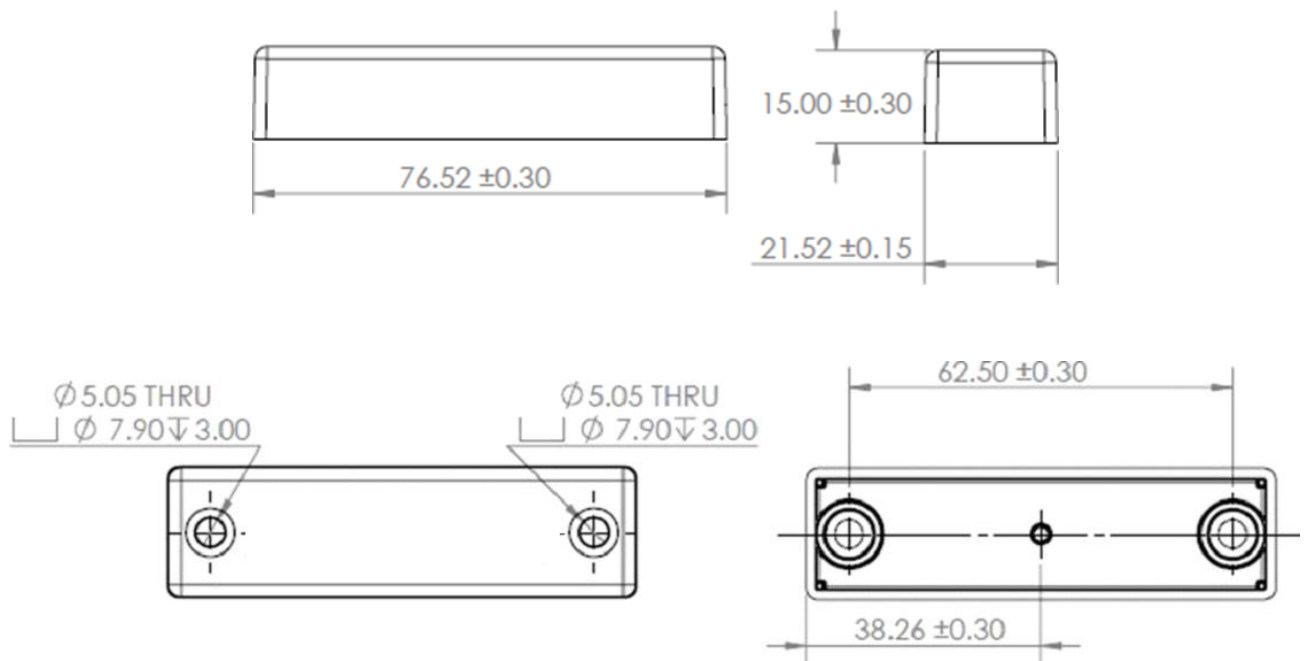
Truck Box Magnetic Sensor Kit, SM-1326:

- Magnetic sensor, NC contact (Open door, contact closed/ Closed door, open contact), SM-1309
- Magnet for Sensor, SM-1310

TECHNICAL INFORMATION

SPECIFICATION	
Maximum Power	10 W
Max. switching voltage	35 VDC
Max. switching current	0,25 A
Max. load current	1,5 A
Operating Temperature	-40 ~ 130°C
Max. contact resistance	0,2 Ω
Runtime including bounce	0,7 ms
Wire length	SM-1309 = 30 cm
Wire Color	Black / Blue
Degree of protection	IP67
Certification	CE

DIMENSIONS

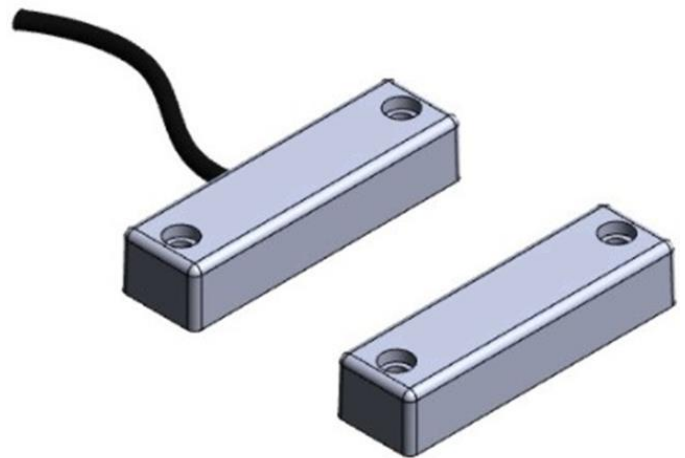


OPERATION

During installation, the **SM-1309** magnetic sensor should be positioned as close as possible to the **SM-1310** magnet, as shown in the image above.

The sensor will indicate the closing of the door when the distance between the door and the magnet is less than approximately 55 mm.

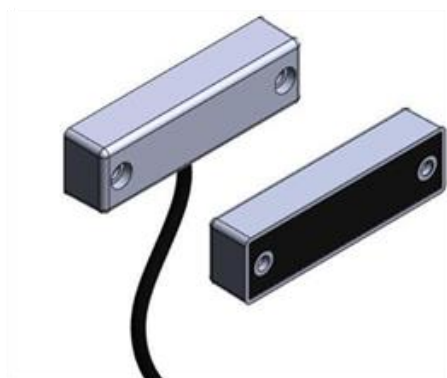
After sensing the closure, the sensor will indicate the opening only when the gap between the sensor and the magnet is greater than approximately 60 mm.



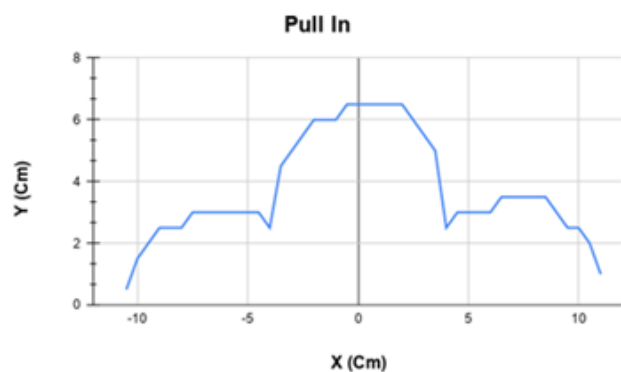
TYPICAL CURVES

1. Configuration (A):

Illustration (A)

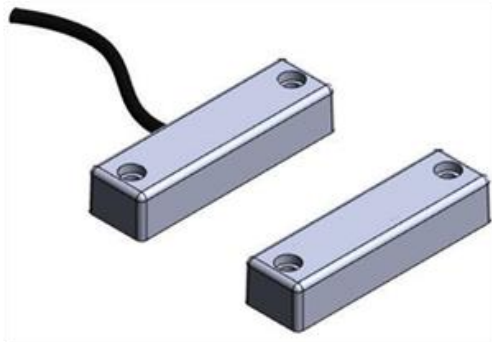


GRAPHICAL REPRESENTATION (A)

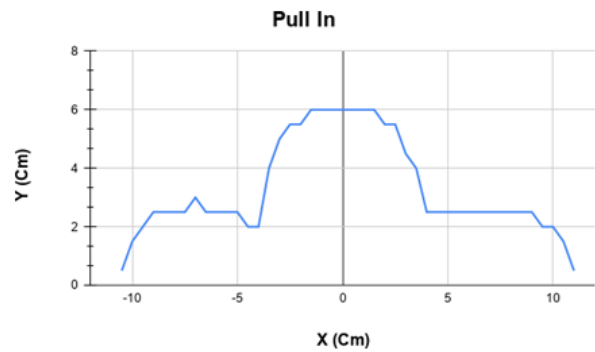


2. Configuration (B):

Illustration (B)



GRAPHICAL REPRESENTATION (B)



ATTENTION!



The use and installation of this product can affect the warranty and sales conditions of the vehicle. Contact and advice your local vehicle dealer(seller) before the installation.

CONTACT US

XMETRA OU, Linda 8-2, Narva-Jõesuu, 29022, Estonia
www.fletelock.com info@fletelock.com Tel: +372 53009114